

Pharmaceuticals • Nutraceuticals

Cosmetics • Consumer Goods

Diagnostics • Medical Devices



Features

- Integrated FANUC Robot
- Integrated Pallet Cell
- ESS-designed End-of-Arm Tool (EOAT) for Packing and Palletizing
- Handles A Wide Variety of Products
- Large Capacity Case Magazine
- Servo Case Transport Drive
- Interlocked PLe-rated Safety Guarding
- Allen Bradley PLC and HMI Standard



ESS Technologies, Inc.
3160 State Street
Blacksburg, VA 24060
(540) 961-5716 • (540) 961-5721
info@esstechnologies.com
www.esstechnologies.com

Model V30P Vertical Robotic Case Packer with Integrated Palletizer



Now with Track & Trace Serialization

The ESS Technologies, Inc. Model V30P Vertical Robotic Case Packer with Integrated Palletizer combines a multi-axis FANUC robot with custom-designed end-of-arm tooling to create a robotic system for case packing bottles, tubes, cartons, jars, bags, etc. The innovative addition of the integrated palletizer creates a complete space saving that requires 50% less floor space compared to conventional solutions. The V30P offers high reliability and packs then palletizes up to five (5) cases per minute. Large payloads can be accommodated using a number FANUC robot models including:

Model M-710iC (Payload 50kg)

Model M-420iA (Payload 40kg)

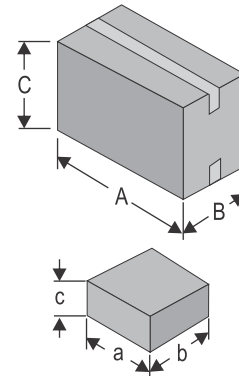
Model M-20iC (Payload 20kg)

The V30P receives the product, forms a case taken from the case magazine, inserts the product, seals the case, and positions the case on the pallet in any required pattern. Case closure options include self-adhesive tape or hot-melt glue. PLC touch screen controls enable the operator to monitor speeds, reset faults, and maintain operational logs. The V30P integrates easily with off-the-shelf serialization systems from OEM manufacturers.

Technical Specifications

Item	Specification
Speed	5-6 Cases per Minute
Power Consumption	12 kW (hot-melt); 8.5 kW (tape)
Compressed Air Consumption	5-7 SCFM
Supply Pressure ATM	6 Bar (87) psi
Standard Foot Print	15'-5" L x 8'-8" W
Size Changeover	15 Minutes Typical
Standard Voltages	204V, 240V, 480V, 3-Phase, 60Hz

	Min.	Max.
A	180	550
B	105	350
C	100	350
A+B		840
a	/	440
b	/	340
c	/	340

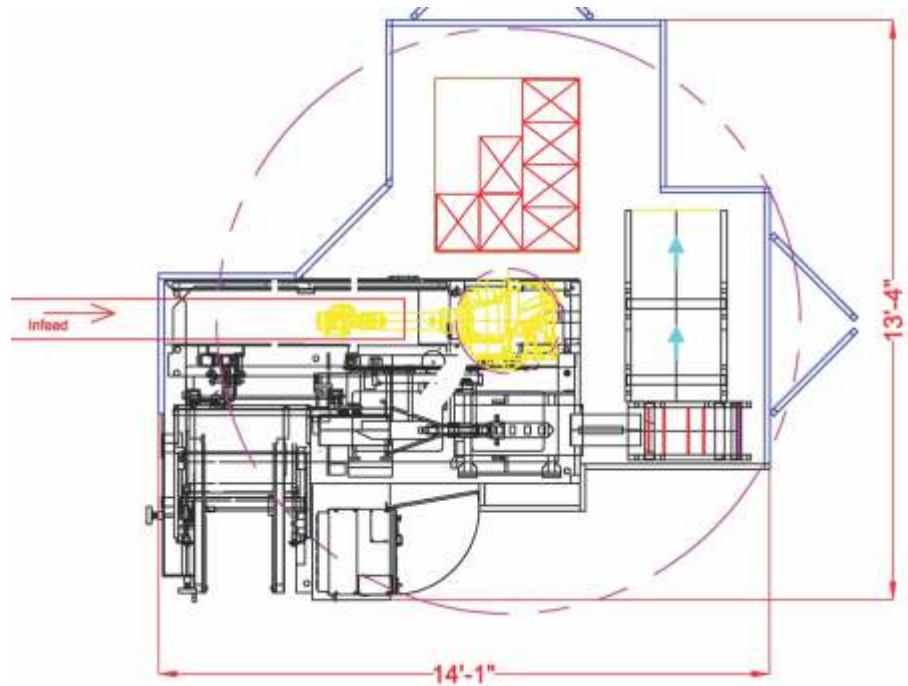


Options

- Case Coding / Case Labeling
- Pallet Discharge Conveyor
- Pallet Infeed Conveyor
- Pallet Tier Sheet Dispensing



Infeed Conveyor with Track & Trace Serialization Cameras for Aggregation



Case Tape Closing System (Standard)



Integrated Overhead Vision System Verifies Case Load



Integrated Serialization Case Labeler

ESS Technologies, Inc.
 3160 State Street
 Blacksburg, VA 24060
 (540) 961-5716 • (540) 961-5721
 info@esstechnologies.com
 www.esstechnologies.com



ESS
Technologies, Inc.
 Packaging Machine Design & Integration

