

Pharmaceuticals • Nutraceuticals

Cosmetics • Consumer Goods

Diagnostics • Medical Devices



## Features

- FANUC Multi-axis Robot
- Stainless Steel Platform
- Custom End Effectors
- Fast Changeover
- Small Footprint
- Vision and Line Tracking

# TaskMate®

## Robotic Collation & Machine Loading/Unloading Systems



The ESS Technologies, Inc. TaskMate® Robotic Systems for collation, machine loading and machine unloading integrate a FANUC robot and custom ESS-designed end-of-arm tooling (EOAT) to create a system for product collation or product handling for machine loading or unloading. The robot may include vision and line tracking to allow the system to pick and place from and onto moving conveyors with high precision. Vacuum or gripper style EOAT can be designed to handle almost any type of product.

The TaskMate® cell performs at very high rates of speed with virtually no change parts and very fast changeover times. The very compact footprint allows the system to be easily retrofit into existing packaging lines. A number of robot models can be specified, depending on the payload and speed requirements. ESS Technologies, Inc. is a FANUC Robotics strategic business partner in the secondary packaging and palletizing of pharmaceuticals and cosmetics and an authorized system integrator.

## FANUC Robot Models

- Model M-1iA . . . . . 0.5kg Payload
- Model M-430iA . . . . . 2kg Payload
- Model LR200iC . . . . . 5kg Payload
- Model M-3iA . . . . . 6kg Payload
- Model M-10iA . . . . . 10kg Payload
- Model M-20iC . . . . . 20kg Payload



ESS Technologies, Inc.  
3160 State Street  
Blacksburg, VA 24060  
(540) 961-5716 • (540) 961-5721  
info@esstechnologies.com  
www.esstechnologies.com

## Robot Specifications

TASKMATE ROBOTS	FANUC Model #	# of Axes	Payload (kg)	Reach (mm)
	M-1iA	4 or 6	0.5	280
	M-430iA	5	2	900
	LR Mate 200iC	6	5	704
	M-3iA	4 or 6	6	1350
	M-10iA	6	10	1420
	M-20iA	6	20	2009

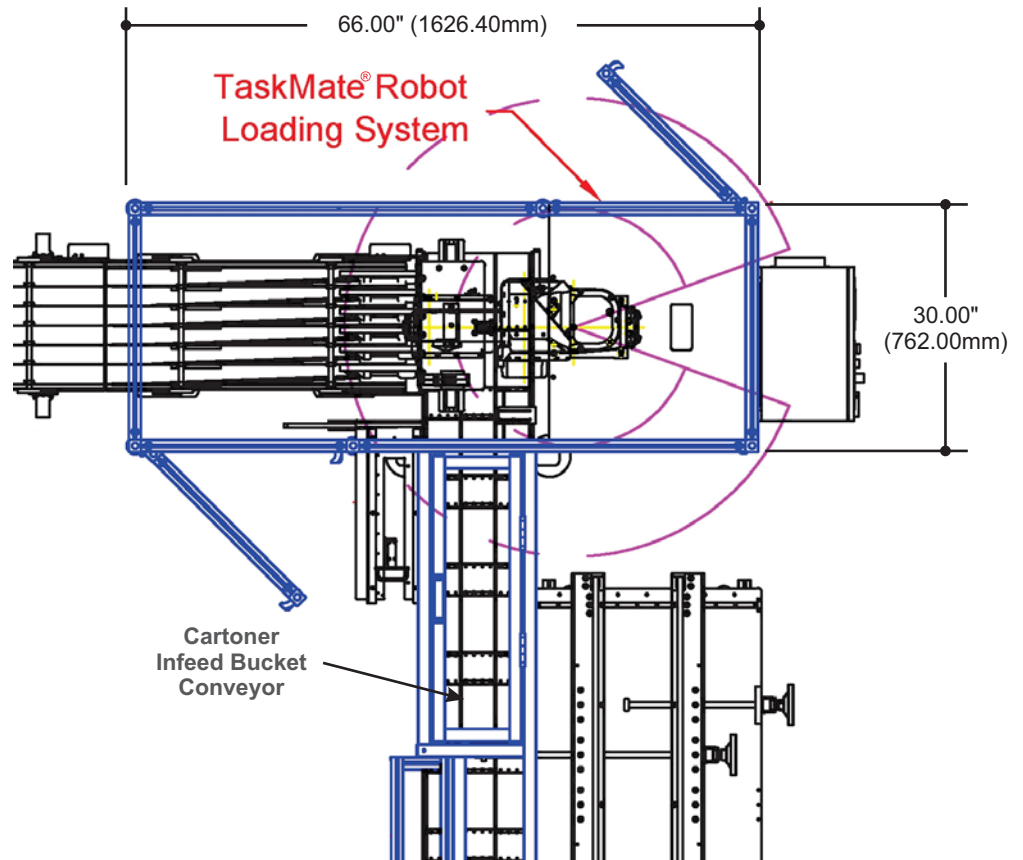
## System Specifications

Item	Specification
Standard Voltage	120VAC, Single Phase, 60Hz
EOAT	Vacuum, Gripper, Hybrid
Guarding	Category 4, interlocked Lexan
Size Changeover	10-15 Minutes Typical
Robotic Cell Footprint	30" x 30" (762mm x 762mm)

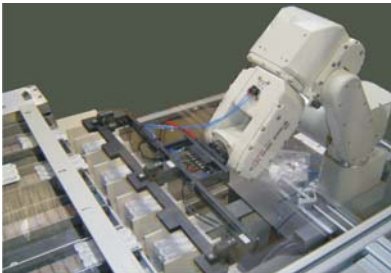
## Options

- Robot Quick Change Tooling
- Clean Class Robot
- Optional System Voltages
- Casters
- Robot Vision
- Robot Line Tracking

## Robotic Cartoner Infeed Typical Layout



Unloading Filler/Capper & Loading Labeler Infeed



Collating Blister Packs At A Cartoner Infeed

ESS Technologies, Inc.  
 3160 State Street  
 Blacksburg, VA 24060  
 (540) 961-5716 • (540) 961-5721  
 info@esstechnologies.com  
 www.esstechnologies.com



**ESS**  
**Technologies, Inc.**  
 Packaging Machine Design & Integration

