

Pharmaceuticals • Nutraceuticals

Cosmetics • Consumer Goods

Diagnostics • Medical Devices



TaskMate®

Robotic Pick & Place Assembly & Inspection Systems



Features

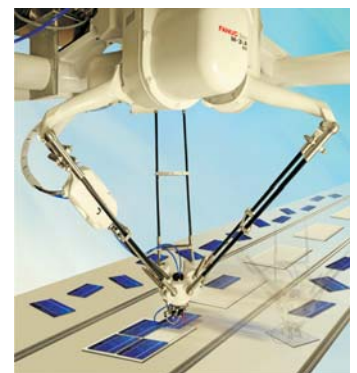
- FANUC Multi-axis Robot
- Stainless Steel Platform
- Custom End Effectors
- Fast Changeover
- Small Footprint
- Precision Pick & Place for Assembly Processes
- Integrates with Vision Systems for Inspection Stations
- Incorporates Automatic Reject for Failed Inspections

The ESS Technologies, Inc. TaskMate® Robotic Pick & Place Assembly and Inspection System provides a simple solution for manufacturers looking to fully automate their assembly and inspection processes. The robotic cell integrates easily with other equipment required to create complete assembly lines for medical devices, consumer goods, diagnostic test kits and cosmetics. Inspection processes may also be automated using the TaskMate® Robotic System. ESS works with a number of vision inspection OEMs to create a complete system that incorporates automatic reject of failed products. The TaskMate® system includes:

- A FANUC multi-axis robot (model varies depending on application)
- ESS-designed end-of-arm tool (EOAT) that changes in minutes
- Controls and programming
- Interlocked Category 4 Lexan safety guarding

FANUC Robot Models

- Model M-1iA 0.5kg Payload
- Model M-430iA 2kg Payload
- Model LR200iC 5kg Payload
- Model M-3iA 6kg Payload
- Model M-10iA 10kg Payload



M-3iA Robot for Assembly Applications



ESS Technologies, Inc.
3160 State Street
Blacksburg, VA 24060
(540) 961-5716 • (540) 961-5721
info@esstechnologies.com
www.esstechnologies.com

Robot Specifications

TASKMATE ROBOTS	FANUC Model #	# of Axes	Payload (kg)	Reach (mm)
	M-1iA	4 or 6	0.5	280
	M-430iA	5	2	900
	LR Mate 200iC	6	5	704
	M-3iA	4 or 6	6	1350
	M-10iC	6	10	1420

System Specifications

Item	Specification
Standard Voltage	120VAC, Single Phase, 60Hz
EOAT	Vacuum, Gripper, Hybrid
Guarding	Category 4, interlocked Lexan
Size Changeover	10-15 Minutes Typical
Robotic Cell Footprint	30" x 30" (762mm x 762mm)

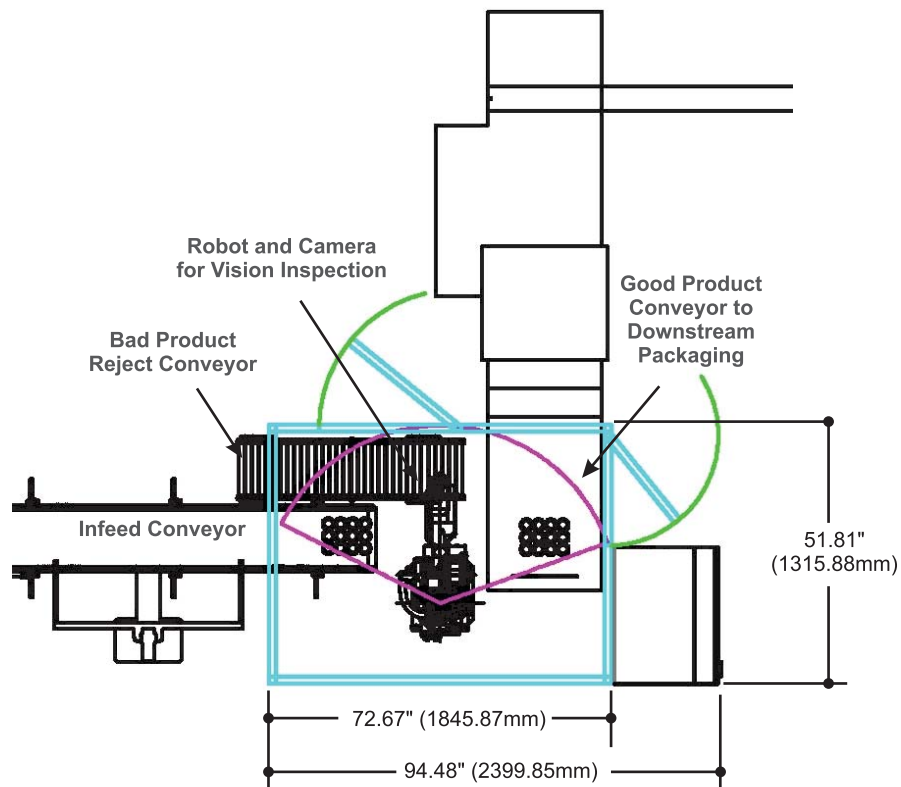
Options

- Robot Quick Change Tooling
- Clean Class Robot
- Optional System Voltages
- Integrated Vision Inspection
- Reject Conveyor
- Data Acquisition / Validation



M-1iA Robots for Assembly Applications

Robotic Vision Inspection System Typical Layout



ESS Technologies, Inc.
 3160 State Street
 Blacksburg, VA 24060
 (540) 961-5716 • (540) 961-5721
 info@esstechnologies.com
 www.esstechnologies.com



ESS
Technologies, Inc.
 Packaging Machine Design & Integration

