

Pharmaceuticals • Nutraceuticals
Cosmetics • Consumer Goods
Diagnostics • Medical Devices



Features

- Integrated FANUC Robot for High Reliability and Long Life
- Handles All Standard Pallet Top Cap Sizes
- Compact Footprint
- Ideal for Display Pallets
- Integrates with Pallet Cell for Fully Automated System



ESS Technologies, Inc.
3160 State Street
Blacksburg, VA 24060
(540) 961-5716 • (540) 961-5721
info@esstechnologies.com
www.esstechnologies.com

Automatic Pallet Top Cap Former



The ESS Technologies, Inc. automatic top cap forming system allows manufacturers to fully automate the creation of retail-ready display pallets and pallets that require top caps between layers for additional stability. An integrated FANUC robot provides the picking and placement of top cap blanks into the ESS forming system that folds and glues pallet top caps. The top cap former can be co-located with the ESS Robotic Pallet Cell, which also includes a FANUC robot that palletizes cases and display trays in a pre-programmed pattern and places the formed top cap on each completed layer or as required. A FANUC M-20iA robot with vacuum end-of-arm-tooling (EOAT) picks large top cap blanks and places them on the ESS top cap forming device. This device then folds and glues the sides of the top cap in place in a matter of seconds. A FANUC palletizing robot then picks the top cap and places it on the layer as required. The top cap forming system and ESS Technologies robotic palletizing system can be integrated with an automatic pallet dispenser and flow-thru pallet conveyor as well as a pallet stretch wrapper to create a completely automated palletizing system that can handle up to 30 cases per minute.

Technical Specifications

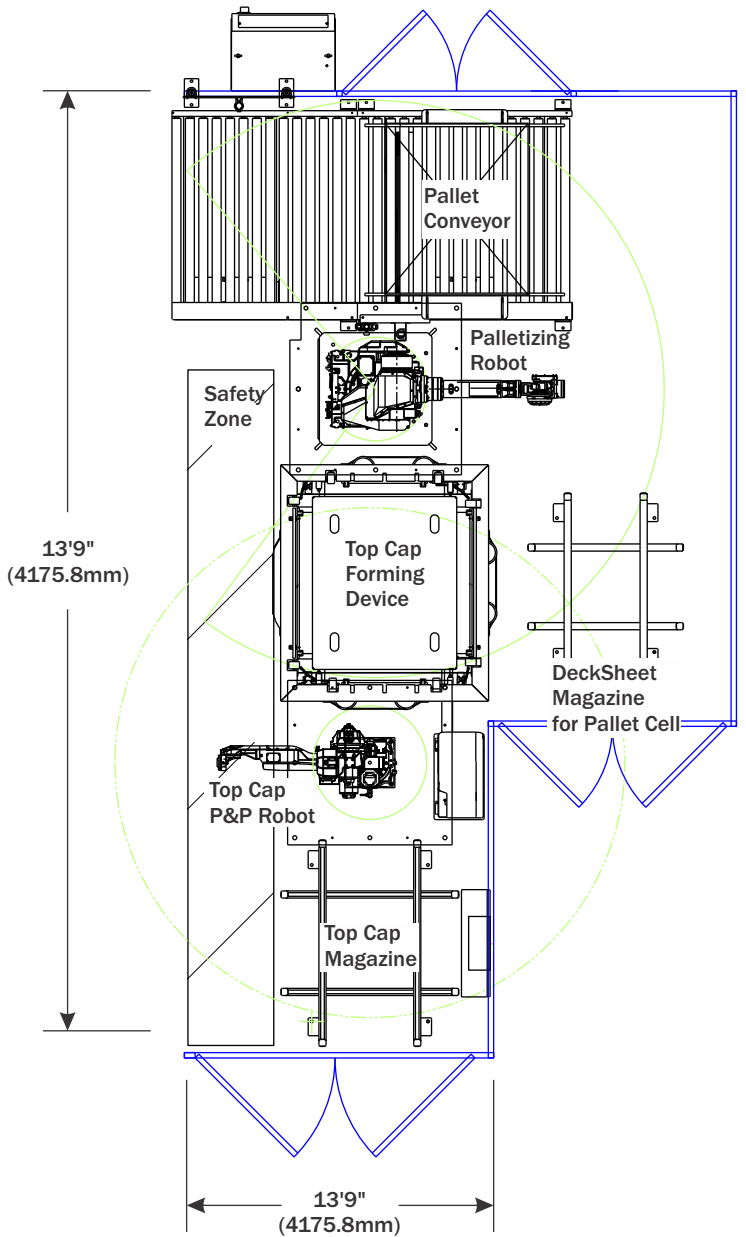
| Item | Specification |
|-------------------|-------------------------------------|
| Speed | Set by Pallet Cell |
| EOAT | Vacuum Style |
| Pallet Size | Accommodates all std. pallet sizes. |
| Standard Voltages | 208V, 240V, 480V, 3-Phase, 60Hz |



Top Cap Blank Placed On Former By Robot



Formed Top Cap



Typical Layout for Top Cap Former with Robotic Pallet Cell

ESS Technologies, Inc.
 3160 State Street
 Blacksburg, VA 24060
 (540) 961-5716 • (540) 961-5721
 info@esstechnologies.com
 www.esstechnologies.com



ESS
Technologies, Inc.
 Packaging Machine Design & Integration

