

Pharmaceuticals • Nutraceuticals  
Cosmetics • Consumer Goods  
Diagnostics • Medical Devices



## Features

- Wide range of filling systems
- Automatic plug / stopper insertion
- Mechanical or Servo drives
- UL certified panel and controls
- One (1) set of tooling (additional size parts optional)
- Polycarbonate interlocked safety guarding
- Soft reject system (optional)
- Available with intrinsically safe (XP) controls
- Zero backlash indexer
- Fast size changeover



ESS Technologies, Inc.  
3160 State Street  
Blacksburg, VA 24060  
(540) 961-5716 • (540) 961-5721  
info@esstechnologies.com  
www.esstechnologies.com

# Monoblock Filler/Capper for Liquids, Creams or Powders



The ESS Technologies, Inc. Monoblock Filler/Capper incorporates the latest technology to create a high speed system for filling and capping containers with liquids, creams or powders. Model MB120 offers a servo filling systems that allows fills and closes up to 120 bottles per minute. The large, full color touch screen provides an operator interface to adjust the servo controls for the diving nozzles as well as the pump fill rates. This allows the machine to perform profile filling for irregular shaped bottles. The servo Model MB60 fills up to 60 bottles per minute.

Mechanical filling systems may be specified for lower filling speeds or systems that require intrinsically safe controls. The mechanical, single pitch MB60M fills up to 60 bottles per minute. Mechanical models of the Monoblock Filler/Capper may be designed with intrinsically safe controls and operator panel for filling liquids such as nail polish, fragrance, or any solution that may be combustible. The system can also be ordered to fill powders.

The Monoblock Filler/Capper is ergonomically designed, and may offer cost-effective tubular construction or a true stainless steel balcony design for ease in inspection, maintenance and quick size changeover. Fill times may be independent of the starwheel to allow for various fluid fill rates, and the starwheel is mechanically driven with a precision zero-backlash indexer. Size changeover is easy and quick, usually less than 15 to 20 minutes. An The stainless steel exterior and hard-anodized aluminum inner frame allow for ease of cleaning. Standard machine guarding is constructed of aluminum profile with polycarbonate panels to ensure safe operating conditions.

ESS also offers a new compact and cost-effective Mini Monoblock, the model MB25, which fills up to 60 bottles per minute and is available in dual or single pitch. Contact ESS for more information about the MB25 Mini Monoblock.

## Technical Specifications

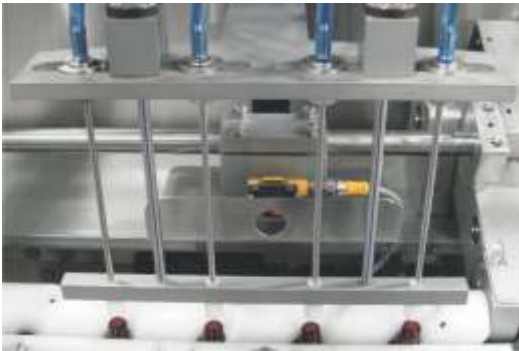
Model	MB120	MB60	MB60M	MB60-XP*
Filling Speed	Up to 120 bpm**	Up to 60 bpm**	Up to 60 bpm**	60+ bpm**
Pitch	Dual	Single	Single	Depends on Speed
Drive & Fill Systems	Servo	Servo	Mechanical	Mechanical
System Controls	Touch Screen	Touch Screen	Touch Screen	LED Display
Product Types	Creams, Powders, Non-flammable Liquids	Creams, Powders, Non-flammable Liquids	Creams, Powders, Non-flammable Liquids	Flammable Liquids Only
Standard Voltages	208V, 240V, 480V, 3-Phase, 60Hz	208V, 240V, 480V, 3-Phase, 60Hz	208V, 240V, 480V, 3-Phase, 60Hz	208V, 240V, 480V, 3-Phase, 60Hz
Bottle Size & Fill Range	Round: 1-6" H x 0.25-3" Dia., Irregular Shape: 1-6" H x 0.25-2" L x 0.25-2" W 1-500ml			

\* Model MB60-XP includes intrinsically safe controls for filling flammable liquids.

\*\*Actual filling speed depends on the application. Contact ESS Technologies for more information.

## Options

- Liquid or Powder Filling Systems
- Plug/Stopper/Brush Inserter
- Custom Cap or Pump Placement
- Positive Shut Off Nozzles
- Soft Reject System w/ Conveyor
- Batch or Process Filling
- Feedback Loop from Check-weigher for Automated Fill Level Adjustment
- Integrated Nitrogen Purge System
- Ultra Compact Model MB25 Mini Monoblock Available. Contact ESS for more information.



Four diving nozzles for allow filling speeds up to 120 bottles per minute.



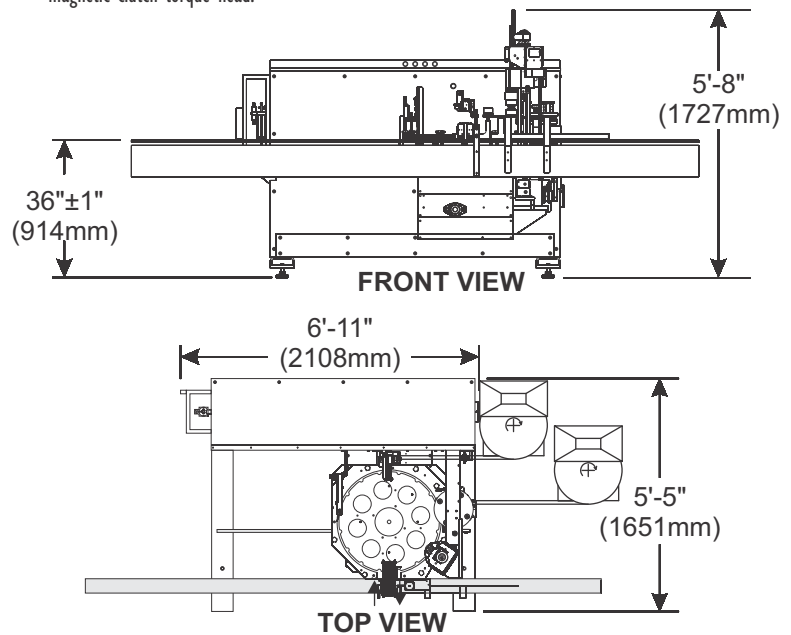
Unique, reliable capping device applies the cap, and final torque is accomplished using a stainless steel magnetic clutch torque head.



Cap feeders can be centrifugal or vibratory, depending on the required specifications.

## Filling Systems Available

- Volumetric Pumps with Ball Valve
- Volumetric Pumps with Rotary Valve
- Rotary Pumps
- Peristaltic Pumps
- Piston Fillers for Cream Products
- Powder Fillers
- Stainless Steel or Ceramic
- Option for Independent Pump Controls



ESS Technologies, Inc.  
 3160 State Street  
 Blacksburg, VA 24060  
 (540) 961-5716 • (540) 961-5721  
 info@esstechnologies.com  
 www.esstechnologies.com



**ESS**  
**Technologies, Inc.**  
 Packaging Machine Design & Integration

